

# CAMLOCK

# COUPLINGS CATALOGUE



## NCI GLOBAL PTE. LTD.

CHANGING THE WORLD WITH TECHNOLOGY

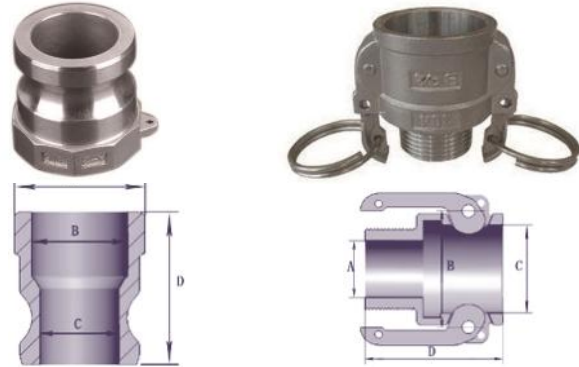


# CAMLOCK COUPLINGS

## Camlock Couplings

### Specification

Body Material	Stainless Steel 316
Thread	BSP / NPT



### Type A : Male Camlock / Female Thread

Dimensions	3/4"	1"	1 1/2"	2"	3"
In Millimeters	20	25	40	50	80
Part No. (NCI)	CLA075SS	CLA100SS	CLA150SS	CLA200SS	CLA300SS
Part No. (EU)	20-AF	25-AF	40-AF	50-AF	80-AF
A	32.4	37.0	53.7	65.0	95.5
B	23.2	29.3	43.8	56.6	83.3
C	21.5	24.2	36.5	48.3	75.5
D	38.9	46.8	54.7	59.0	70.0

### Type B : Female Camlock / Male Thread

Dimensions	3/4"	1"	1 1/2"	2"	3"
In Millimeters	20	25	40	50	80
Part No.-NCI	CLB075SS	CLB100SS	CLB150SS	CLB200SS	CLB300SS
Part No.-EU	20-BF	25-BF	40-BF	50-BF	80-BF
A	18.0	24.0	38.0	48.0	78.0
B	41.2	48.4	64.8	74.2	106.2
C	32.4	37.3	54.0	63.8	92.5
D	47.0	58.0	69.0	79.5	94.5





# Camlock Couplings

## CAMLOCK COUPLINGS



### Type C : Female Camlock / Male Hosebarb

Dimensions	3/4"	1"	1 1/2"	2"	3"
In Millimeters	20	25	40	50	80
Part No. (NCI)	CLC075SS	CLC100SS	CLC150SS	CLC200SS	CLC300SS
Part No. (EU)	20-CC	25-CC	40-CC	50-CC	80-CC
A	15.0	21.0	33.5	45.5	70.5
B	41.2	48.4	64.8	74.2	106.2
C	32.4	37.3	54.0	63.8	92.5
D	76.0	82.0	90.0	103.0	125.0

### Type D : Female Camlock / Female Thread

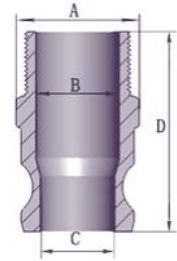
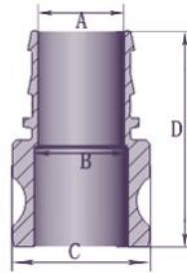
Dimensions	3/4"	1"	1 1/2"	2"	3"
In Millimeters	20	25	40	50	80
Part No. (NCI)	CLD075SS	CLD100SS	CLD150SS	CLD200SS	CLD300SS
Part No. (EU)	20-DF	25-DF	40-DF	50-DF	80-DF
A	23.2	29.2	43.8	55.0	82.5
B	41.2	48.4	64.8	74.2	106.2
C	32.4	37.3	54.0	63.8	92.5
D	43.0	50.5	62.5	70.5	81.0





## Camlock Couplings

# CAMLOCK COUPLINGS



### Type E : Male Camlock / Male Hosebarb

Dimensions	3/4"	1"	1 1/2"	2"	3"
In Millimeters	20	25	40	50	80
Part No. (NCI)	CLE075SS	CLE100SS	CLE150SS	CLE200SS	CLE300SS
Part No. (EU)	20-EC	25-EC	40-EC	50-EC	80-EC
A	15.0	21.0	33.5	46.5	66.5
B	32.1	36.7	53.4	63.0	91.5
C	21.5	24.2	36.5	48.3	75.5
D	67.4	75.3	83.2	127.0	154.5

### Type F : Male Camlock / Male Thread

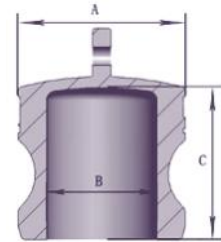
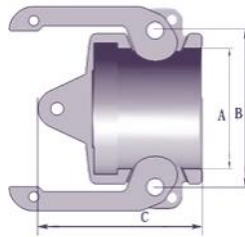
Dimensions	3/4"	1"	1 1/2"	2"	3"
In Millimeters	20	25	40	50	80
Part No. (NCI)	CLF075SS	CLF100SS	CLF150SS	CLF200SS	CLF300SS
Part No. (EU)	20-FF	25-FF	40-FF	50-FF	80-FF
A	21.5	27.3	40.8	51.5	80.0
B	32.4	37.0	53.7	64	95.5
C	21.5	24.2	36.5	48.3	75.5
D	51.9	64.8	78.7	80.5	95.0





# Camlock Couplings

## CAMLOCK COUPLINGS



### Type DC : Dust Cap

Dimensions	3/4"	1"	1 1/2"	2"	3"
In Millimeters	20	25	40	50	80
Part No. (NCI)	CLDC075SS	CLDC100SS	CLDC150SS	CLDC200SS	CLDC300SS
Part No. (EU)	20-DC	25-DC	40-DC	50-DC	80-DC
A	41.2	48.4	64.8	74.2	106.2
B	32.4	37.3	54.0	63.8	92.5
C	45.0	51.0	59.0	65.0	72.8

### Type DP : Dust Plug

Dimensions	3/4"	1"	1 1/2"	2"	3"
In Millimeters	20	25	40	50	80
Part No. (NCI)	CLDP075SS	CLDP100SS	CLDP150SS	CLDP200SS	CLDP300SS
Part No. (EU)	20-DP	25-DP	40-DP	50-DP	80-DP
A	32.1	36.7	53.4	63.0	91.5
B	24.5	32.5	40.0	41.8	43.2
C	21.5	24.2	36.5	48.3	75.5

CHANGING THE WORLD  
WITH TECHNOLOGY



MANLID SEALS

VALVE SEALS

O RINGS

VALVE GASKETS

FLANGES & CONNECTIONS

DUST CAPS

DOCUMENT HOLDERS / FLAME TRAPS / DIP STICKS

THERMOMETERS

PRESSURE GAUGES

METAL VALVE REPLACEMENT PARTS / ACCESSORIES

RIVETS / WALKWAYS / REMOTE CONTROLS

TIR SECURITY SEALS / DATA PLATES

BURSTING / RUPTURE DISCS

CLADDINGS / INSULATIONS

IMDG LABELS / TANK DECALS

PV VALVE TEST KITS / PERIODIC TEST RIGS

CAMLOCK COUPLINGS



**NCI GLOBAL PTE. LTD.**

10G Enterprise Road  
Enterprise 10  
Singapore 629833  
Tel: +65 6517 9848  
E-mail:  
charlene.goh@nci.com.sg  
sales@nci.com.sg  
UEN: 202335130H



**CHANGING THE WORLD  
WITH TECHNOLOGY**

**NCI.COM.SG**